

FK11-5T



FUKE FK11-5T Basic Information

Rated capacity
5000kg

Service weight
8150kg

Rated output/r.p.m
85/2200kw/rpm

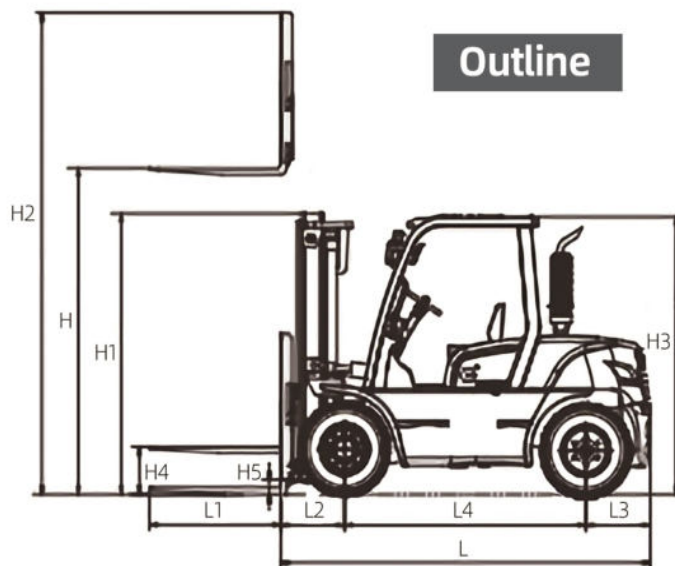


Customization and assistive devices



Technical Specification

Model	FK11-5T	
Power Type	Diesel	
Rated Capacity	5000 kg	
Load Centre	600 mm	
Service Weight	8150 kg	
Tyre Size(Front)	8.25-15-14PR	
Tyre Size(Rear)	8.25-15-14PR	
Front Tread	1470 mm	W1
Rear Tread	1700 mm	W2
Wheelbase	2250 mm	L4
Fork Size(LxWxT)	1220x150x60 mm	L1
Mast Tilt Angle (F/R)	6/12 deg	α/β
Lift Height	3000 mm	H
Mast Lowered Height	2500 mm	H1
Free Lift Height	200 mm	H5
Mast Extended Height	4415 mm	H2
Length to Face of Fork	3440 mm	L
Overall width	2010 mm	W
Overhead Guard Height	2430 mm	H3
Front Overhang	590 mm	L2
Rear Overhang	600 mm	L3
Turning Radius (outside)	3250 mm	r
Ground Clearance (Bottom at mast)	200 mm	H4
Min. Intersecting aisle	2950 mm	Ra
Min. Right angle stacking aisle width	5260 mm	RASA
Max. Travel Speed (Full load/No load)	26/30 km/h	
Lifting Speed(Full load/No load)	500/550 mm/s	
Lowering Speed (Full load/No load)	$\leq 600 / \geq 300$ mm/s	
Max. Gradeability (Full load)	20%	
Engine Model	Yuchai	
Rated output/r.p.m	85/2200 kw/rpm	
Rated torque/r.p.m	460/1400-1500 Nm/rpm	
No. of cylinder	4	
Bore x stroke	110x125 mm	
Displacement	4.75 L	
Fuel Tank Capacity	125 L	
Battery (Vollage/capacity)	2x12/80 V/Ah	

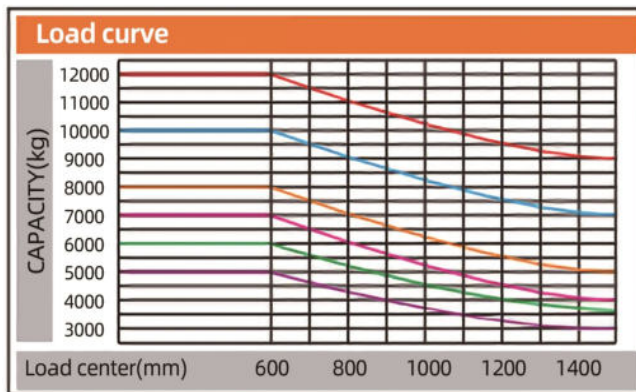
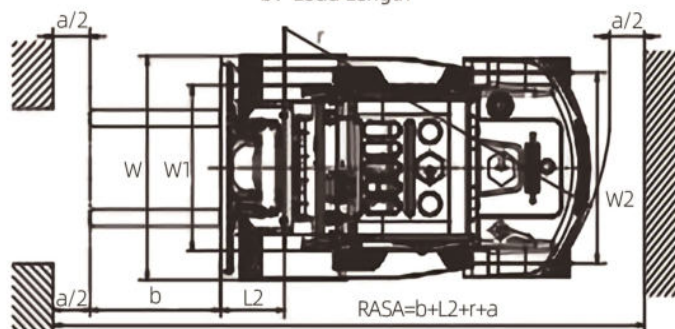


Outline

RASA Right-Angle Stack Aisle

a: Safety Clearance

b: Load Length



Note:

Capacities shown are computed with upright in vertical position. Based on a 1000 mm cube load configuration with the center of gravity at the true center of the cube and standard forks. Truck capacities with upright in forward tilt position will be less. Long forks and unusually wide or loads may also reduce capacity.

Contact us:

Phone/Whatsapp:+8613505697380

Email:fk002@fukebn.com/fuke7380@gmail.com

