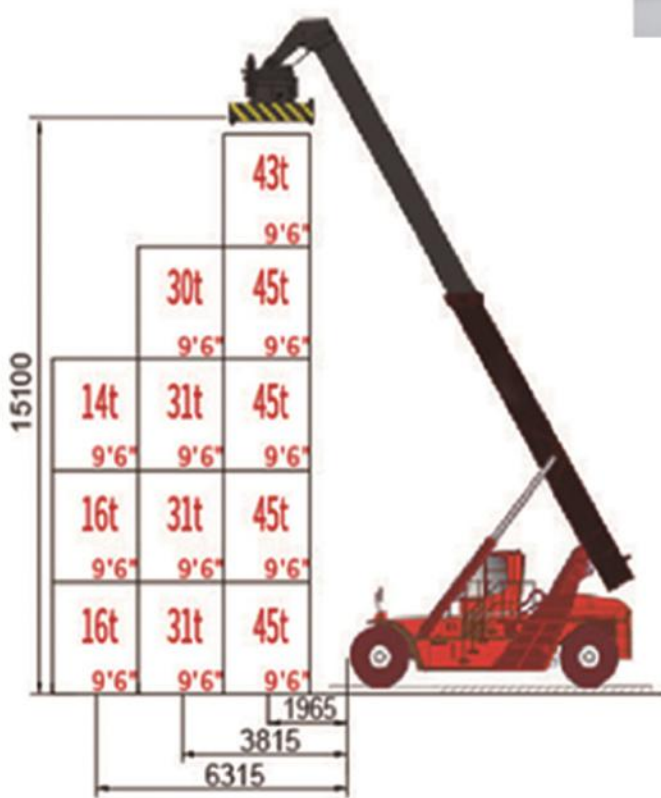




FK11-1510T
Container front crane



Basic Information

Wheelbase
6000mm

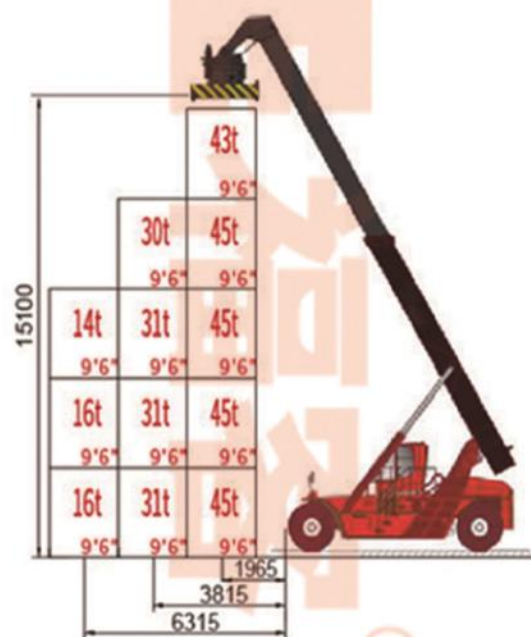
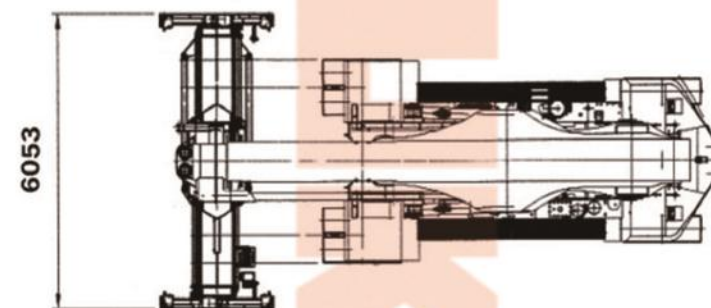
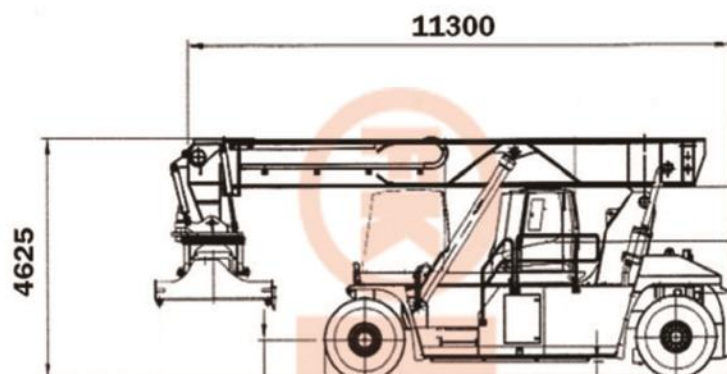
Overall Dead Weight
72T

Basic Parameters

Technical Specification

Outline

Engine	Yuchai
Driver Axle	ATI/KESSLER D102
Spreader Weight	7.8T
Max. Lift Capacity	45T/31T/16T
Max. Spreader Lifting Height	15100mm
Boom Angle	0~ 60deg
Max. Lifting Speed(Unloaded/Load)	360/300 (mm/s)
Drive Speed(Unloaded/Load)	25/21(km/h)
Gradeability(Non-load/Loaded)	39/32%
Hydraulic Pressure	262bar
Overall Dead Weight	72T
Stacking Length	5 (9'6")
Max. Length	11300mm
Wheel Base	6000mm
Max. height	4625mm
Max. width	6053-12185mm
Turning Radius Inner	800mm
Aisle Width With 20ft	11797 mm
Aisle Width With 40ft	13965mm
Fuel Consumption	18L ~ 20L/h
Tire Type	18-25X 40PR



*We follows the principle of continuous improvement Product performance parameters will be partially changed due to technical improvements without prior notice.

FUKE

Anhui Fuke Heavy Industry Equipment Co., Ltd.

Contact us:
Phone/Whatsapp:+8613505697380
Email:fk002@fukebn.com/fuke7380@gmail.com

