

FK **FUKE** 福客®

FK-220D

进 取 不 止

FUKE

Boutique Manufacturing
Conquer The World With Quality



www.fukeonline.com

fk002@fukebn.com



Basic Information

Operating weight

20000kg

Rolling width

2130mm

Gradeability

30%

Activating force

395/220KN

Rated power

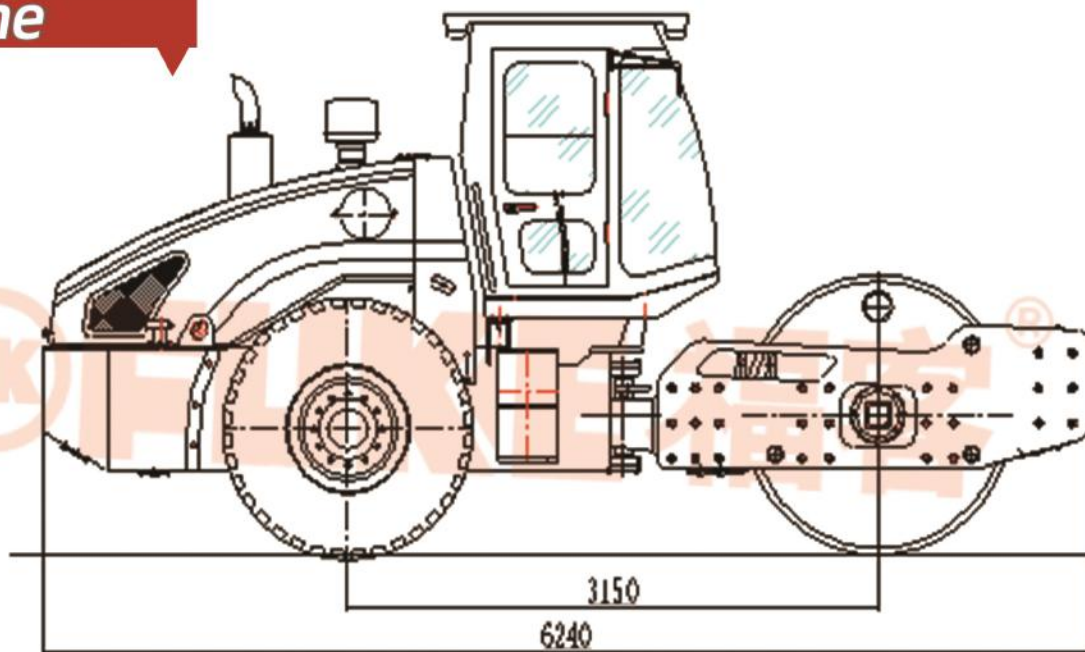
129KW

Rated rotary speed

2000r/min

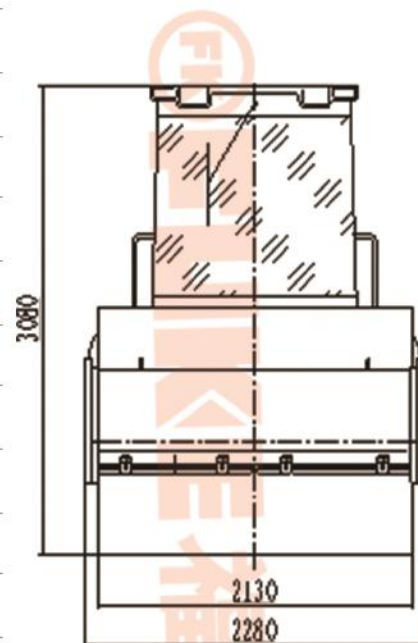


Outline



Technical Specification

Operating weight	20000 kg
Diameter of vibrating drum	φ1600 mm
Rolling width	2130 mm
Activating force	395/220 KN
Vibration frequency	30 Hz
Theoretical amplitude of vibration	1.9/0.9 mm
Moving speed Range I II III IV	2.5/5.0/10.5 km/h
backward I	2.5/5.0 km/h
Gradeability	30%
Diesel engine model	Yuchai
Rated rotation speed	2000 r/min
Rated power	129 kw
Overall dimensions L*W*H	6240×2280×3080 mm



- ★ Mechanical drive, three-speed gear shift. Hydraulic vibration, start-vibration by electric control, hydraulic steering with light operation.
- ★ The FK series pneumatic articulated vibratory roller can be equipped with diesel engine of WEICHAI with low fuel consumption, large power which is clean and environmental-friendly.
- ★ Adopt the special gear-box with synchronizer, easy to operate and comfortable.
- ★ Streamlined shape design with the whole removable cover, easy to maintenance.

*We follows the principle of continuous improvement Product performance parameters will be partially changed due to technical improvements without prior notice.

