

**FK** **FUKE** 福客®

**FK33-55**

**FUKE**

Boutique Manufacturing,  
Conquer The World with Quality



FUKE FK33-55 **Basic Information**

Concrete output

**5.5m<sup>3</sup>**

Wheelbase

**2450mm**

Loading ratio

**78%**

Bucket

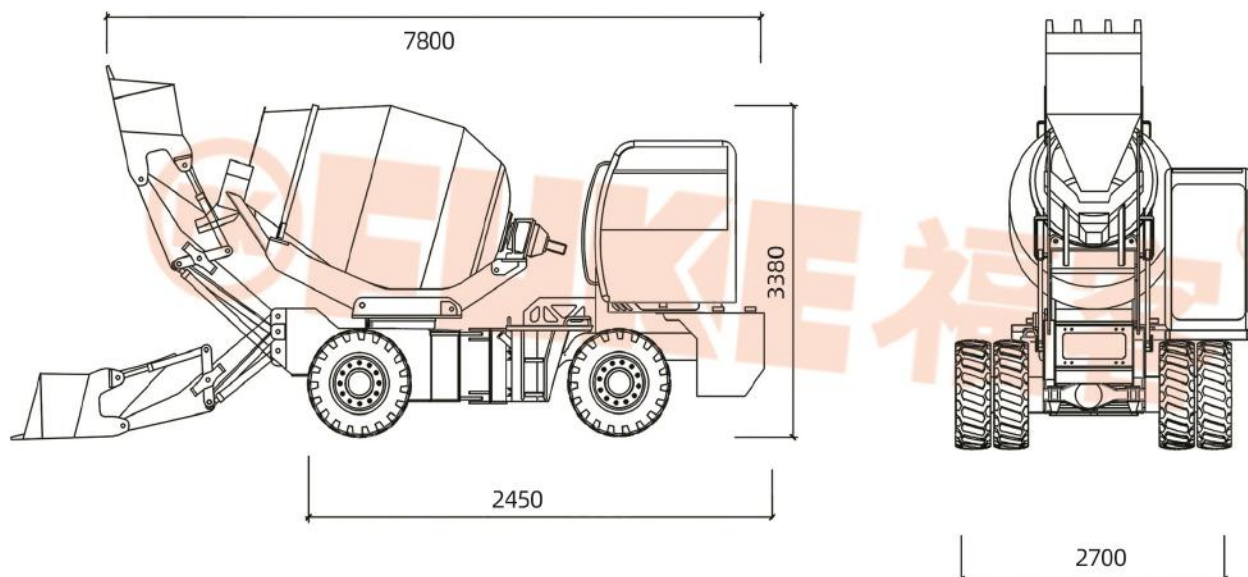
**650L**

Weight

**8600kg**

Rated power

**115Kw**



## Technical Specification

Drum capacity	6.8m <sup>3</sup>
Concrete output	5.5m <sup>3</sup>
Loading ratio	78%
Rotary drum	Discharge mouth height 1.8 meters.Level turn 270°
Production capacity	4 batches in an hour;20 cubic meters per hour
Engine	YUCHAI , diesel, water cooling, 4 cylinders.2,200 revolutions per minute, rated power 115KW.
Transmission way	Full hydraulic drive.4 wheel drive and 2 turns.All the power comes from hydraulic oil, including walking 4X4.
Climbing ability	30%
Speed	Low speed 0-25 km/h, high speed 0-40 km/h.
CAB	Ultra wide deluxe cab . ROPS type.
Hydraulic system	Open feed, two gear pump participate in action.
Joystick	A four-way hydraulic pilot with an electric control button controls the bucket.
Bucket	650L
Bucket type	hydraulic gate.
Chute	Equipped with two removable shaft pins to increase the discharge length.
Water supply system	Self-priming hydraulic drive pump/electronic water flow monitor/high pressure washer.
Brake	Inner wheel brake and the emergency brake operate on 4 wheels, enabling the small servo pump on the independent double-return road.Negative pressure type stop brake, the front bridge is equipped with inner hub.
Turn	Hydraulic steering, front wheel steering.
Tyre	16/70-20 wire tires
Power system	24V
OIL TANK/water tank	2 x210L water tank. Diesel tank: 125L.Hydraulic tank: 130L
Weight	8600KG
Dimensions L*W*H	7800mm*2700mm*3380mm
Wheelbase	2450mm
Metering	Electronic weighing system (optional)

We follows the principle of continuous improvement Product performance parameters will be partially changed due to technical improvements without prior notice.

