

**FK** **FUKE** 福客®

**FK-16T**

**FUKE**

Boutique Manufacturing,

Conquer The World with Quality



[www.fukeonline.com](http://www.fukeonline.com) [fk002@fukebn.com](mailto:fk002@fukebn.com)

Maximum rated total lifting capacity

**16T**

Maximum gradeability

**48%**

Total weight

**20600kg**

### Main action parameters

Main winch	Single rope speed 0-120m/min, diameter/length 14mm/135m, maximum single rope pulling force 3.2t
Vice winch	Single rope speed 0-120m/min, diameter/length 14mm/70m, maximum single rope pulling force 3.2t
Turn around	0-2.5 r/min
Fluctuation range	40s/50s (0-80°)
Stretch	40s/35s (10m-32m)

**FUKE**

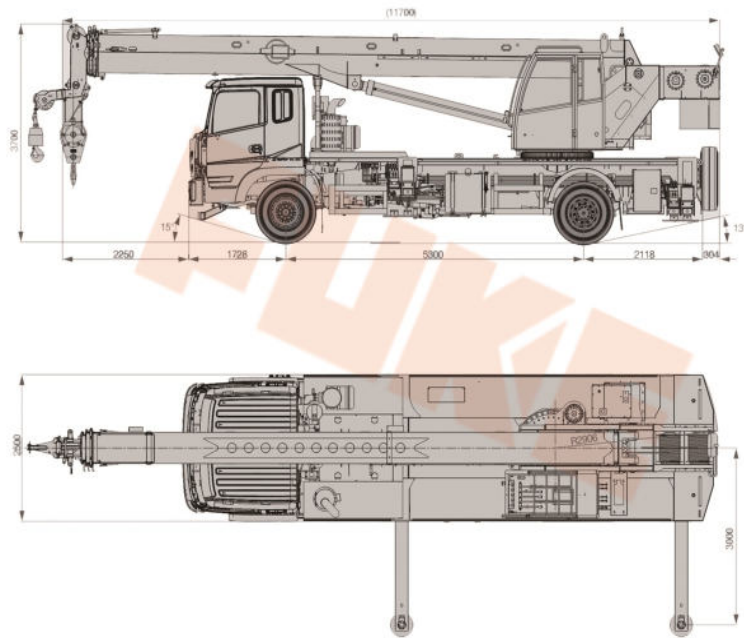
Anhui Fuke Heavy Industry Equipment Co., Ltd.

Contact us:  
Phone/Whatsapp: +8613505697380  
Email: [fk002@fukebn.com](mailto:fk002@fukebn.com) / [fuke7380@gmail.com](mailto:fuke7380@gmail.com)

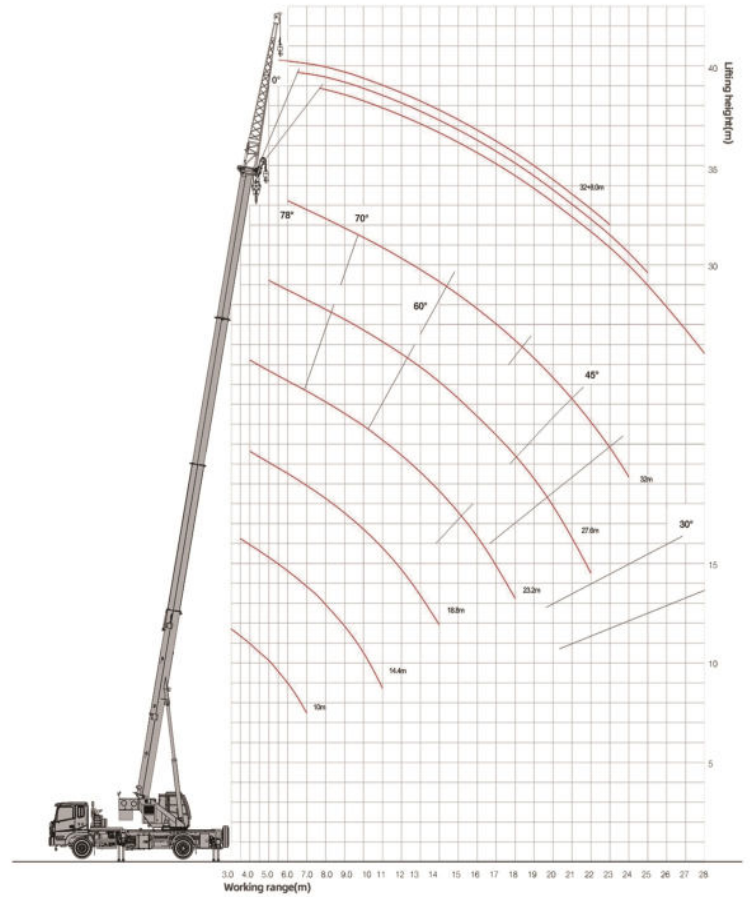




## Crane dimensions



## Lifting height curve of main and jib



## Main technical parameters

Overall length * width * height	11700*2500*3700 mm
Wheelbase	5300 mm
Engine model	Yuchai
Engine rated output power	192/2300 Kw/rpm
Engine maximum output torque	1000/(1300-1500) N.m/rpm
Total mass of the whole machine	20600 kg
Maximum travel speed	> 95 km/h
Minimum turning radius	10 m
Minimum ground clearance	275 mm
Approach angle	18°
Departure angle	11°
Braking distance (vehicle speed is 30km/h)	8 m
Maximum grade	48%
Fuel consumption per hundred kilometers	30 L
Maximum rated total lifting capacity	16 t
Minimum rated range	3 m
Maximum lifting moment	735/480 kN.m
Outrigger span (horizontal x longitudinal)	6x4.98 m
Lifting height (Basic boom/longest main boom)	10.7/32.5 m
Boom length(Basic boom/longest main boom)	10/32 m
Maximum speed of single rope of main winch (no load)	> 120 m/min
Boom fully extended/retracted time	40/35 s
Full lifting/falling time of boom	40/50 s
Swing speed	2.5 r/min
Horizontal outrigger full extension/retraction time	20/20 s
Vertical outrigger full retract/release time	20/20 s

## Main boom performance table

Amplitude (m)	10	14.4	18.8	23.2	27.6	32
3	16000	12200				
3.5	16000	12200	11600			
4	16000	12200	11600	8600		
4.5	15500	12200	11600	8600		
5	12800	12200	11600	8400	6600	
5.5	10000	10300	10500	8000	6600	
6	8200	8500	8600	7600	6600	4600
6.5	6800	7100	7200	7200	6000	4600
7	5900	6100	6200	6350	5600	4500
8	4200	4600	4750	4850	4800	4300
9		3600	3750	3850	3900	3900
10		2900	3100	3150	3200	3200
11		2350	2500	2550	2600	2600
12		1900	2000	2050	2100	2100
14			1450	1500	1550	1550
16			1050	1100	1100	1100
18				750	800	800
20					600	600
22						400
<b>Magnification</b>	6	6	4	4	3	3
<b>Cylinder expansion rate</b>	0%	20%	40%	60%	80%	100%

\*We follows the principle of continuous improvement Product performance parameters will be partially changed due to technical improvements without prior notice.



Contact us:  
Phone/Whatsapp:+8613505697380  
Email:fk002@fukebn.com/fuke7380@gmail.com