

FK **FUKE** 福客®

FK-20T

Do it
TODAY



www.fukeonline.com fk002@fukebn.com

Maximum rated total lifting capacity

20T

Maximum gradeability

40%

Total weight

30400kg

Main action parameters

Main winch	Single rope speed 0-120m/min, diameter/length 14mm/180m, maximum single rope pulling force 5t
Vice winch	Single rope speed 0-120m/min, diameter/length 14mm/105m, maximum single rope pulling force 5t
Turn around	0-2.2 r/min
Fluctuation range	45s/60s (0-80°)
Stretch	120s/150s (10.4m-39m)



Contact us:

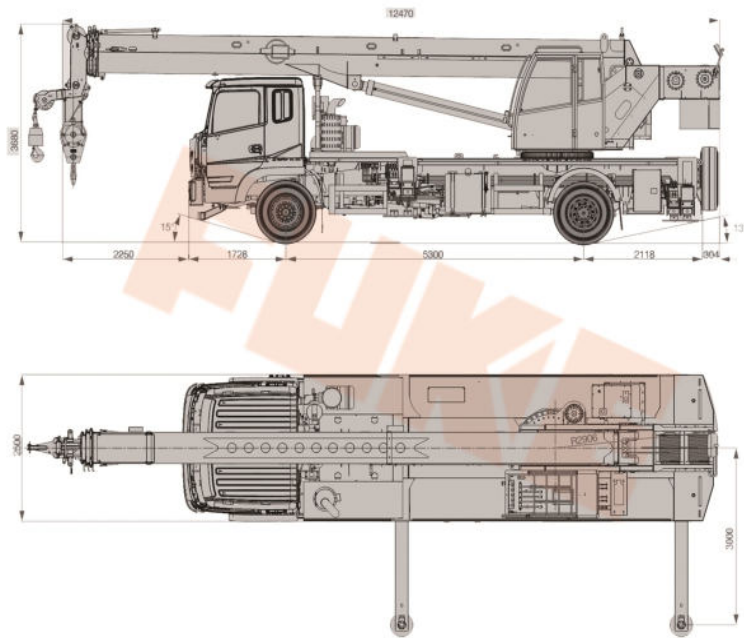
Phone/Whatsapp:+8613505697380

Email:fk002@fukebn.com/fuke7380@gmail.com

FUKE

Anhui Fuke Heavy Industry Equipment Co., Ltd.

Crane dimensions

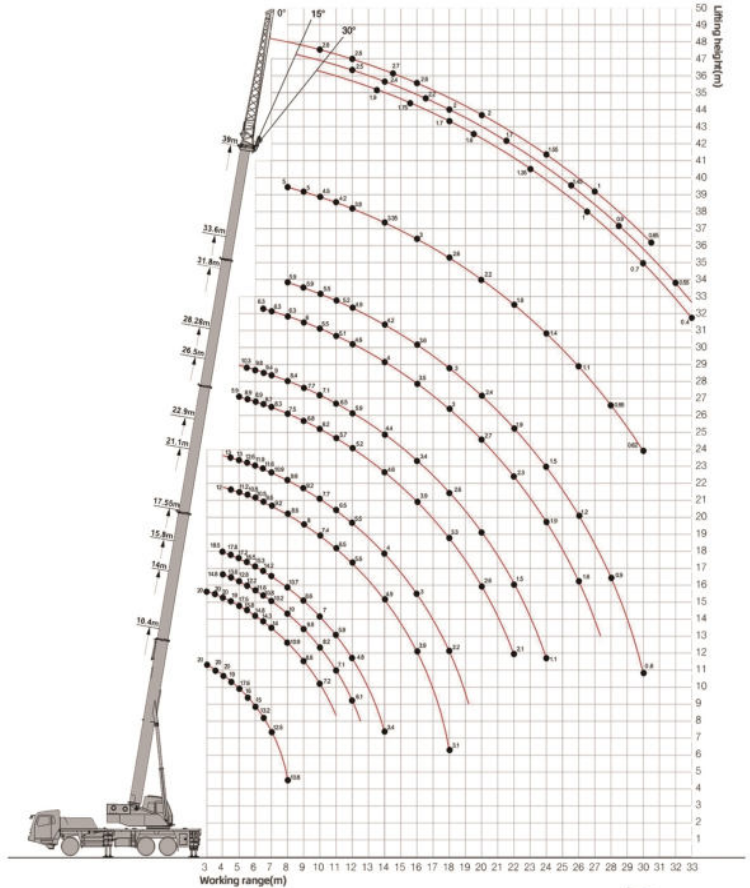


Main technical parameters

Overall length * width * height	12470*2500*3680 mm
Wheelbase	4280 mm
Engine model	Yuchai
Engine rated output power	199/2100 Kw/rpm
Engine maximum output torque	1160/(1200-1700) N.m/rpm
Total mass of the whole machine	30400 kg
Maximum travel speed	85 km/h
Minimum turning diameter	20 m
Minimum ground clearance	220 mm
Approach angle	10°
Departure angle	10°
Braking distance (vehicle speed is 30km/h)	10 m
Maximum grade	40%
Fuel consumption per hundred kilometers	34 L
Maximum rated total lifting capacity	20 t
Minimum rated range	3 m
Maximum lifting moment	882/576 kN.m
Outrigger span (horizontal x longitudinal)	5.11x6.2 m
Lifting height (Basic boom/longest main boom)	10.4/39 m
Boom length(Basic boom/longest main boom)	11/39.5 m
Number of boom sections	5
Boom section type	U type
Boom fully extended/retracted time	120/150 s
Full lifting/falling time of boom	45/60 s
Swing speed	2.2 r/min
Horizontal outrigger full extension/retraction time	30/25 s
Vertical outrigger full retract/release time	25/20 s

*We follows the principle of continuous improvement Product performance parameters will be partially changed due to technical improvements without prior notice.

Lifting height curve of main and jib



Main boom performance table

Amplitude (m)	10.4	14	15.8	17.55	21.1	22.9	26.5	28.28	31.8	33.6	39	
3	20000	20000										
3.5	20000	20000										
4	20000	20000	14800	18500								
4.5	19000	19000	13600	17800	12000	13000						
5	17600	17500	12800	17200	11200	13000	8900					
5.5	16000	15800	12200	16500	10800	12600	8900	10300				
6	15000	14800	11600	15300	10500	11900	8900	9800				
6.5	13200	14300	10800	14200	9600	11600	8700	9400	6300			
7	12500	14000	10200	13300	9200	10900	8300	9000	6300	7600		
8	10800	10900	10000	10700	8600	9900	7500	8400	6300	6800	5900	
9		8800	9800	8600	8000	9200	6800	7700	6000	6400	5900	
10		7200	8200	7000	7400	7700	6200	7100	5500	6000	5500	
11			7100	5900	6500	6500	5700	6600	5100	5600	5200	
12			6100	4800	4900	5500	5200	5900	4600	5100	4900	
14				3400	3900	4000	4600	4400	4000	4500	4200	
16					3100	3000	3900	3400	3500	3600	3600	
18						2200	3300	2600	3000	2900	3000	
20							2600	2000	2700	2200	2400	
22								2100	1500	2300	1900	
24									1100	1900	1500	
26										1600	1000	1200
28											700	900
30												600

Stretch condition (%)

	0	50	0	100	0	100	0	100	0	100	100
Two-section arm	0	50	0	100	0	100	0	100	0	100	100
Three-section arm	0	0	25	0	50	25	75	50	100	75	100
Four-section arm	0	0	25	0	50	25	75	50	100	75	100
Five-section arm	0	0	25	0	50	25	75	50	100	75	100
Magnification	8	8	6	6	4	4	4	4	3	3	3

