

FK **FUKE** 福客®

FK-500Y

DO IT
TODAY



Lifting Performance Parameter Table

Maximum rated total lifting capacity

50T

Maximum gradeability

55%

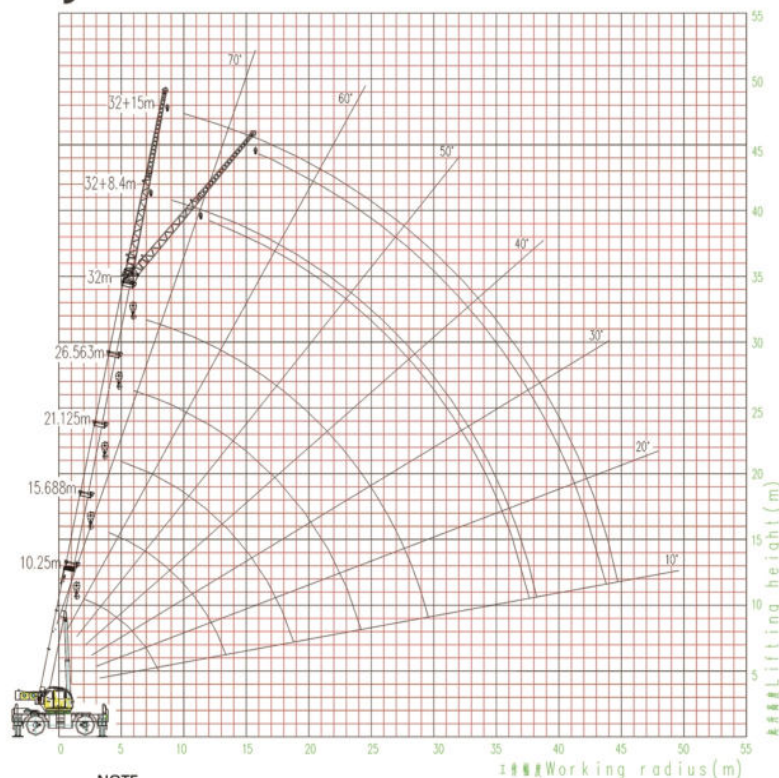
Total weight

36140kg

Engine rated power

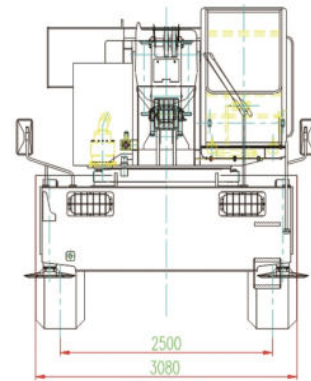
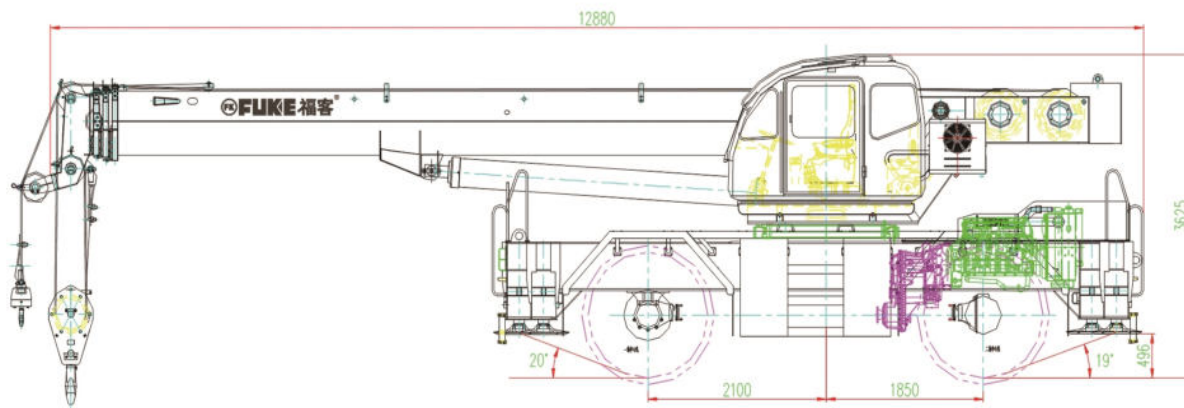
198/2500Kw/(r/min)

Lifting Performance Graph



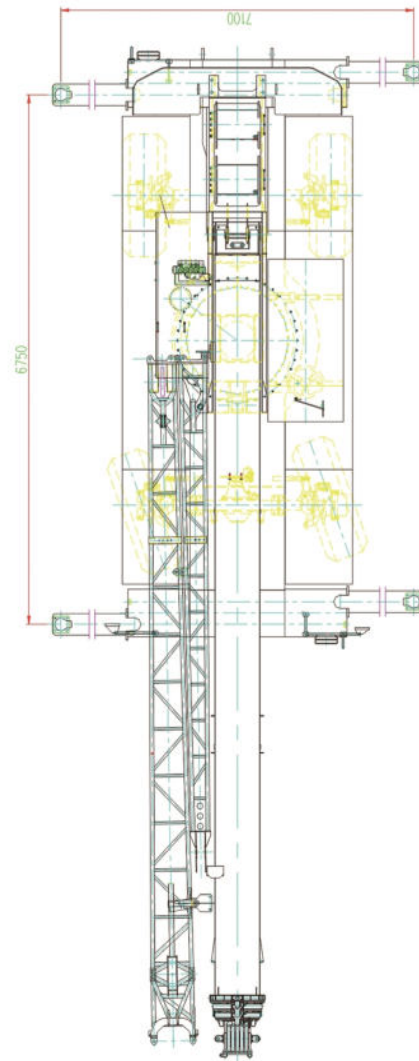
NOTE

The lifting height and working amplitude in this graph are the theoretical values when the hook is empty, and there is a certain deviation from the actual values. Please refer to the actual value when working.



Technical Parameters

Overall length*width*height	12880*3080*3625 mm
Wheelbase	3950 mm
Axle track	2500 mm
The weight of the whole machine	36140 kg
Engine rated power	198/2500 Kw/(r/min)
Engine torque	970/1200~1700 N.m(r/min)
Maximum rated total lifting capacity	50 t
Rated working range	3 m
Maximum travel speed	40 Km/h
Minimum turning diameter	6 m
Turntable tail radius of gyration	3.62 m
Minimum ground clearance	400 mm
Approach angle	20°
Departure angle	19°
Braking distance (vehicle speed is 30Km/h)	≤8.5 m
Maximum grade	55 %
Maximum noise outside the machine when accelerating	88 dB(A)
Maximum turning speed	2.0 r/min
Lifting height(Basic arm/Longest main boom/Longest main boom + jib)	10.86/32/47.6 m
Boom length(Basic arm/Longest main boom/Longest main boom + jib)	10.25/32/47 m



*We follows the principle of continuous improvement Product performance parameters will be partially changed due to technical improvements without prior notice.



Contact us:

Phone/Whatsapp:+8613505697380

Email:fk002@fukebn.com/fuke7380@gmail.com