

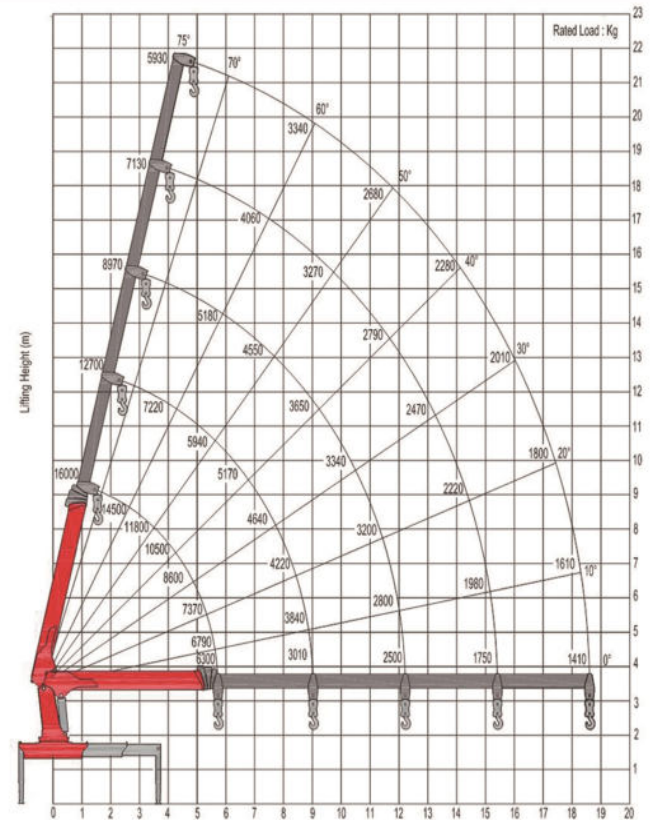
**FK-150E**



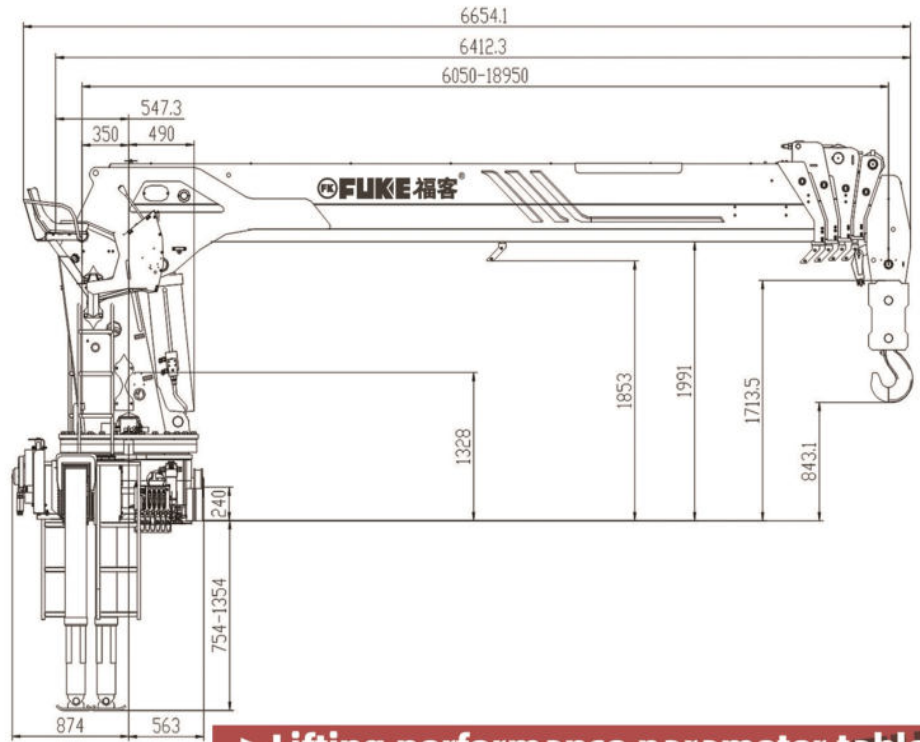
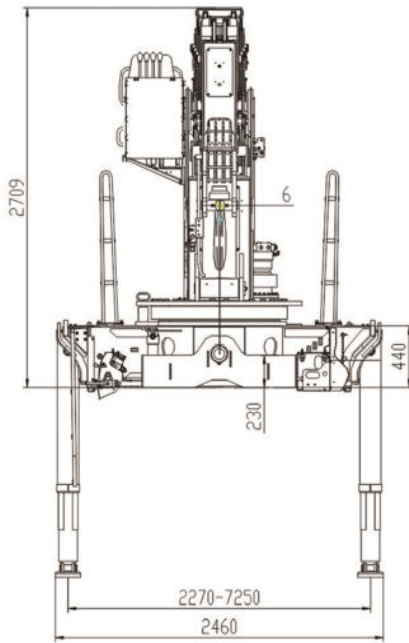
> Product Description

- Extra-long boom, wider operating range
- Two-stage large-span outriggers have stronger overall machine stability
- The fuel tank is integrated on the base for easier modification
- High safety factor design, higher reliability
- Standard warning horn, work light
- Standard high pressure filter
- Standard configuration winch over-winding alarm
- Standard plunger pump, longer life, higher efficiency, higher reliability
- Optional hydraulic or manual outrigger
- Optional innovative low seat, which is more in line with humanized operation and enhances comfort
- Optional winch over-discharge protection

> Lifting Performance Graph



NOTE  
 The above lifting height and boom angles are based on a straight (unladen) boom. Allowance should be made for boom deflection under laden conditions. Lifting capacities must not exceed 85% of tipping load.



> Lifting performance parameter table

> Technical Parameters

Basic Data	FUKE FK-150E
Rated lifting moment	40 mt
Rated lifting capacity	15000 kg (2.5 m)
Max. outreach	18.6 m
Max. lines of the hook	6
Slewing angle	Continuous
Boom raising angle	0 ~ 75 °
Max lifting height (the measurement from the ground after the outriggers fully extended)	21.5 m
Length of the boom system (retracted)	6.23 m
Length of the boom system (fully extended)	19.0 m
Boom sections	5
Outrigger span (fully extended)	7.25 m
Recommended flow rate	80 ~ 110 L/MIN
Operating pressure	32 Mpa
Recommended oil tank capacity	300 L
Crane moment(dynamic)	913.8 kNm 93.1mt
Torsional moment(dynamic)	52.5 kNm 5.4mt
Crane weight	6000 kg

\*We follows the principle of continuous improvement Product performance parameters will be partially changed due to technical improvements without prior notice.

Amplitude	Arm length (fully extended outriggers, hanging from the rear side)				
	5.3	8.5	11.7	14.9	18.1
1.8	16000				
2.0	14920				
2.5	12850	11260			
3.0	11390	9810	8130		
3.5	10280	8730	7300	7020	
4.0	9390	7890	6640	6370	
4.5	8650	7220	6090	5830	5680
5.0	7970	6670	5640	5380	5240
5.5	7190	6200	5260	5000	4860
6.0		5800	4930	4680	4540
6.5		5450	4640	4400	4260
7.0		5130	4850	4150	4020
7.5		4840	4380	3930	3800
8.0		4550	4160	3730	3610
8.5		4230	3950	3560	3440
9.0		3480	3760	3400	3280
9.5			3590	3250	3140
10.0			3420	3110	3010
10.5			3260	2990	2890
11.0			3090	2870	2780
12.0			2800	2760	2680
12.5				2650	2580
13.0				2550	2490
13.5				2450	2410
14.0				2340	2330
14.5				2220	2250
15.0				2070	2180
15.5					2100
16.0					2030
16.5					1960
17.0					1890
17.5					1800
18.0					1700
18.5					1540
18.6					1410
Recommended magnification	6	4	4	4	2

