

FK FUKE 福客

FK-200E

进 取 不 止

FUKE

Boutique Manufacturing

Conquer The World With Quality



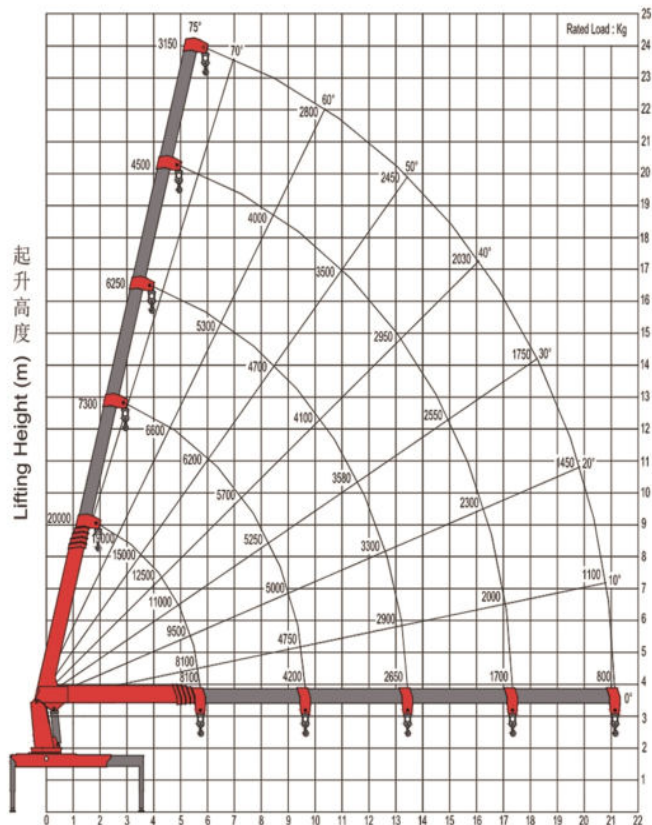
www.fukeonline.com

fk002@fukebn.com

> Product Description

- The boom is driven by a two-stage oil cylinder, and the lifting capacity of the short and medium boom is stronger
- Better than the industry's hydraulic system, superior performance, with combined action function
- Two-stage large-span outriggers have stronger overall machine stability
- High safety factor design, higher reliability
- Standard warning horn
- Standard work light
- Standard high pressure filter
- Standard configuration of winch over-winding alarm and over-winding protection
- Standard plunger pump, longer life, higher efficiency, higher reliability
- Standard torque limiter

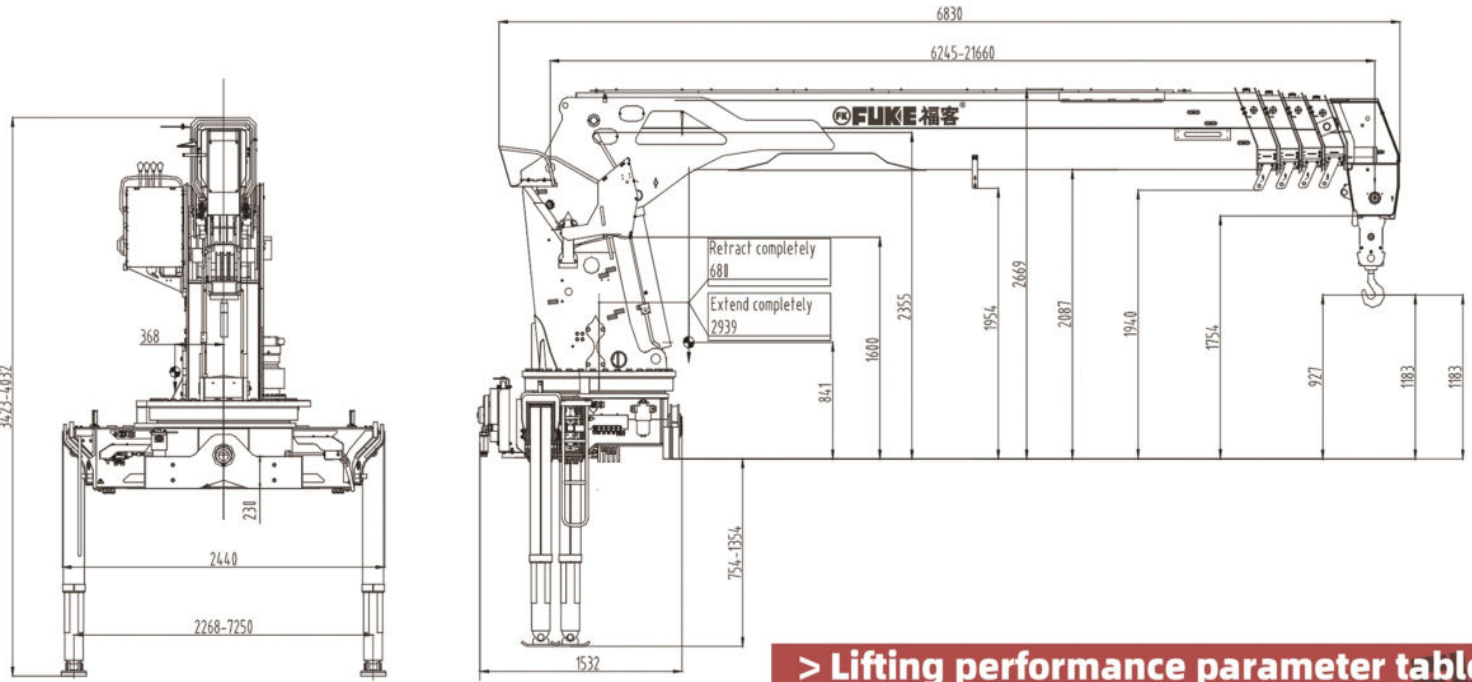
> Lifting Performance Graph



NOTE
The above lifting height and boom angles are based on a straight (unladen) boom. Allowance should be made for boom deflection under laden conditions. Lifting capacities must not exceed 85% of tipping load.

www.fukeonline.com

fk002@fukebn.com



> Lifting performance parameter table

> Technical Parameters

Basic Data	FUKE FK-200E
Rated lifting moment	50 mt
Rated lifting capacity	20000 kg (2.5 m)
Max. outreach	21.2 m
Max. lines of the hook	6
Slewing angle	Continuous
Boom raising angle	0 ~ 75 °
Max lifting height (the measurement from the ground after the outriggers fully extended)	23.2 m
Length of the boom system (retracted)	6.25 m
Length of the boom system (fully extended)	21.6 m
Boom sections	5
Outrigger span (fully extended)	7.25 m
Recommended flow rate	80 ~ 110 L/MIN
Operating pressure	32 Mpa
Recommended oil tank capacity	300 L
Crane moment(dynamic)	913.8 kNm 93.1mt
Torsional moment(dynamic)	52.5 kNm 5.4mt
Crane weight	6800 kg (High seat)

Amplitude	Arm length (fully extended outriggers, hanging from the rear side)				
	6.2	10.2	14	17.8	21.6
2	22000				
2.5	20000				
3	17000	7300			
3.5	14000	7000	6250		
4	12500	6800	6000		
4.5	11000	6500	5750	4500	
5	9500	6380	5600	4400	
5.5	8100	6200	5400	4300	3150
6		5900	5250	4200	3100
6.5		5700	5150	4100	3050
7		5500	4900	4000	3000
7.5		5250	4700	3950	2950
8		5000	4500	3800	2900
8.5		4750	4300	3700	2850
9		4500	4100	3600	2800
9.5		4200	390	3500	2700
10			3740	3350	2650
10.5			3580	3250	2580
11			3420	3100	2500
11.5			3250	2950	2450
12			3100	2800	2380
12.5			2950	2680	2280
13			2800	2550	2200
13.5			2650	2440	2100
14				2320	2030
14.5				2220	1920
15				2130	1850
15.5				2000	1750
16				1910	1650
16.5				1800	1550
17				1700	1450
17.5					1360
18					1280
18.5					1200
19					1100
19.5					1020
20					940
20.5					860
21.2					800
Recommended magnification	6	4	2	2	2

*We follows the principle of continuous improvement Product performance parameters will be partially changed due to technical improvements without prior notice.

