



FUKE

Boutique Manufacturing

Conquer The World With Quality

www.fukeonline.com

fk002@fukebn.com

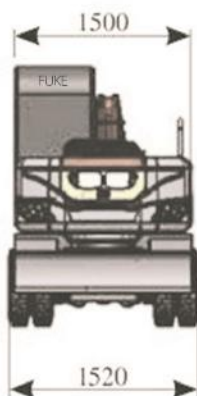
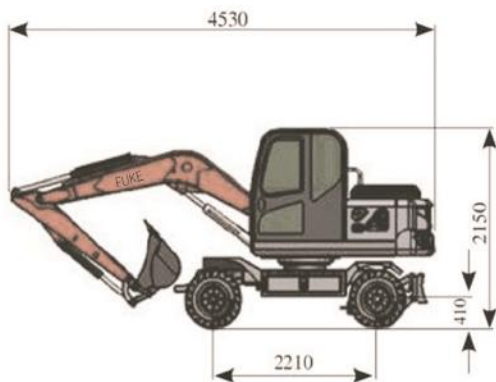
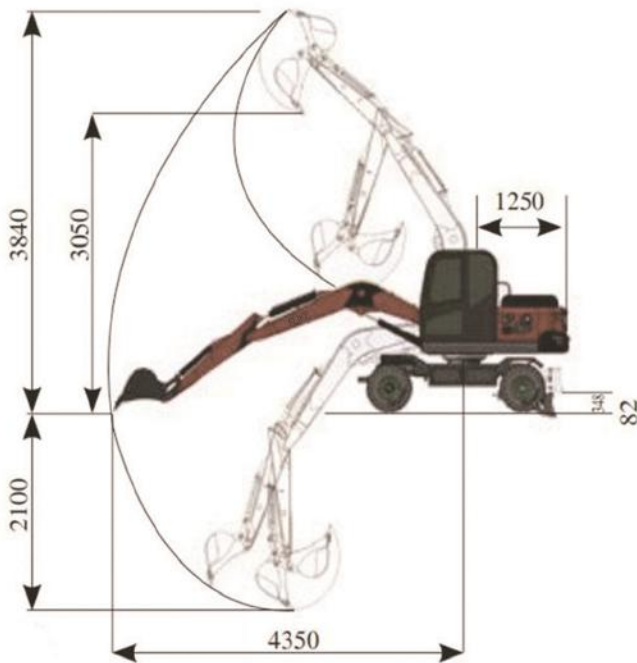
FK35-9L

Operating Weight: 3500 kg

Standard bucket capacity: 0.26 m³

Rated power: 34 kW

- New generation product
- Exquisite
- Reliable structure
- Excellent performance
- Small and efficient
- Convenient maintenance
- Cost-effective



► Technical specifications

Basic parameters

Total Weight	3500 kg
Standard bucket capacity	0.26 m ³

Performance parameter

Engine	China
Engine rated power	34 kW
Maximum digging force	5560 N
Hydraulic oil capacity	75 L
Hydraulic tank capacity	12 L
Driving speed	2.2 km/h
Platform rotation speed	6.8 r/min

Job parameters

Maximum digging height	3840 mm
Maximum digging depth	3050 mm
Maximum digging radius	2100 mm
Maximum lifting height of earth shovel	400 mm
Maximum digging depth of dozer	300 mm
Min Tail swing radius	1250 mm
Minimum radius of gyration	1250 mm

Transport size

Overall length (transport state)	4530 mm
Overall width (transport state)	1520 mm
Overall height (transport state)	2150 mm

Other parameters

Tire center distance	2210 mm
Counterweight ground clearance	883 mm
Boom length	2350 mm
Stick length	1230 mm
Cooling method	Water-cooling
Hydraulic System Operating Pressure	22mpa
Rotary motor	Plunger
Main pump	Variable plunger

安徽福客重工设备有限公司
Anhui Fuke Heavy Industry Equipment Co., Ltd.

Contact us:

Phone/Whatsapp:+8613505697380

Email:fk002@fukebn.com/fuke7380@gmail.com

www.fukeonline.com

